



FHIR JUMPSTART

Support Interoperability & Innovation on Azure

Many payors and providers are facing challenges in terms of compliance due to the deadlines set forth in the 21st Century Cures Act passed by Congress in 2016. This act dictated that healthcare organizations must meet interoperability requirements using the Fast Healthcare Interoperability Resources (FHIR) standard. Many healthcare organizations are unfamiliar with how to best implement and adopt FHIR and can face steep fines if they don't become compliant and eliminate data blocking.

Why It Matters

Ready to improve your digital health? FHIR allows healthcare systems to share important health information, like patient records or test results, so that doctors and other healthcare providers can access the information they need more easily, leading to better care for patients.

How It Works

3Cloud's FHIR Jumpstart provides a foundation for the adoption of FHIR to conduct an MVP style deployment to support interoperability and innovation in Microsoft Azure. We'll collaborate with your team to provide the necessary infrastructure, enablement and knowledge transfer to enable regulatory compliance for data exchange, SMART app development and advanced analytics.

Key Objectives

- Select Data Sets for Integration
- Deploy the Azure Healthcare API Service
- Deploy FHIR Proxy & Bulk Load/Export Service
- Deploy Azure Synapse & Configure Export Service
- API Testing & Validation

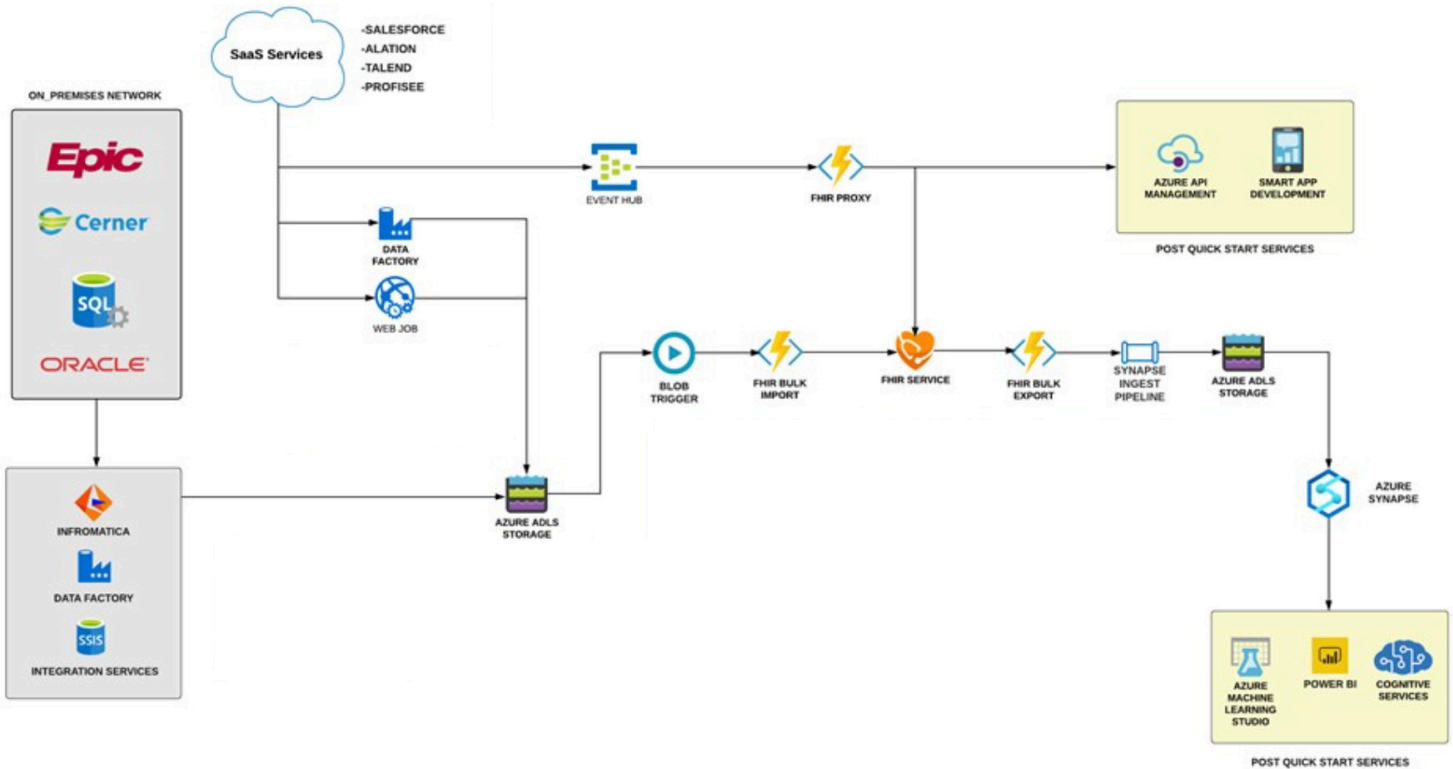
63%

of payor professionals are somewhat prepared or in need of time & assistance to achieve compliance.

*Health Payer Intelligence

FHIR Jumpstart Architecture

The following drawing shows services to be deployed during engagement.



Drive Innovation in a Secure Environment

Security & Compliance

Share healthcare data with patients, providers and payors while remaining compliant with government regulations.

Drive Innovation

Enhanced patient insights that support predictive analytics and personalized care.

Data Integration

Import data in batch or real-time to provide a 360-degree view of the patient with the most up-to-date information.

Advanced Analytics

Easily create actionable intelligence across your health data for enhanced patient engagement and operational efficiencies.

Your FHIR Jumpstart may be eligible for Microsoft funding

Why 3Cloud

3Cloud is the premier pure-play Azure partner in the ecosystem with unparalleled expertise in all things Azure. We specialize in delivering top-tier Azure infrastructure, cutting-edge artificial intelligence (AI), robust data & analytics and ground-breaking app development. Leveraging our extensive experience, advanced tools and customized accelerators – we ensure the quickest time to value for your Azure-based projects.

